

Models:

- 58400** - 5" Pad, 3/16" Orbit, Non-Vac
- 58401** - 5" Pad, 3/16" Orbit, Vac-Ready
- 58405** - 6" Pad, 3/16" Orbit, Non-Vac
- 58406** - 6" Pad, 3/16" Orbit, Vac-Ready
- 58409** - 6" Pad, 3/16" Orbit, Central Vac

- 58415** - 5" Pad, 3/8" Orbit, Non-Vac
- 58416** - 5" Pad, 3/8" Orbit, Vac-Ready
- 58418** - 6" Pad, 3/8" Orbit, Non-Vac
- 58419** - 6" Pad, 3/8" Orbit, Vac-Ready
- 58420** - 6" Pad, 3/8" Orbit, Central Vac

5" & 6" 2-Hand Random Orbital Sander

12,000 RPM Air Motor and Machine Parts

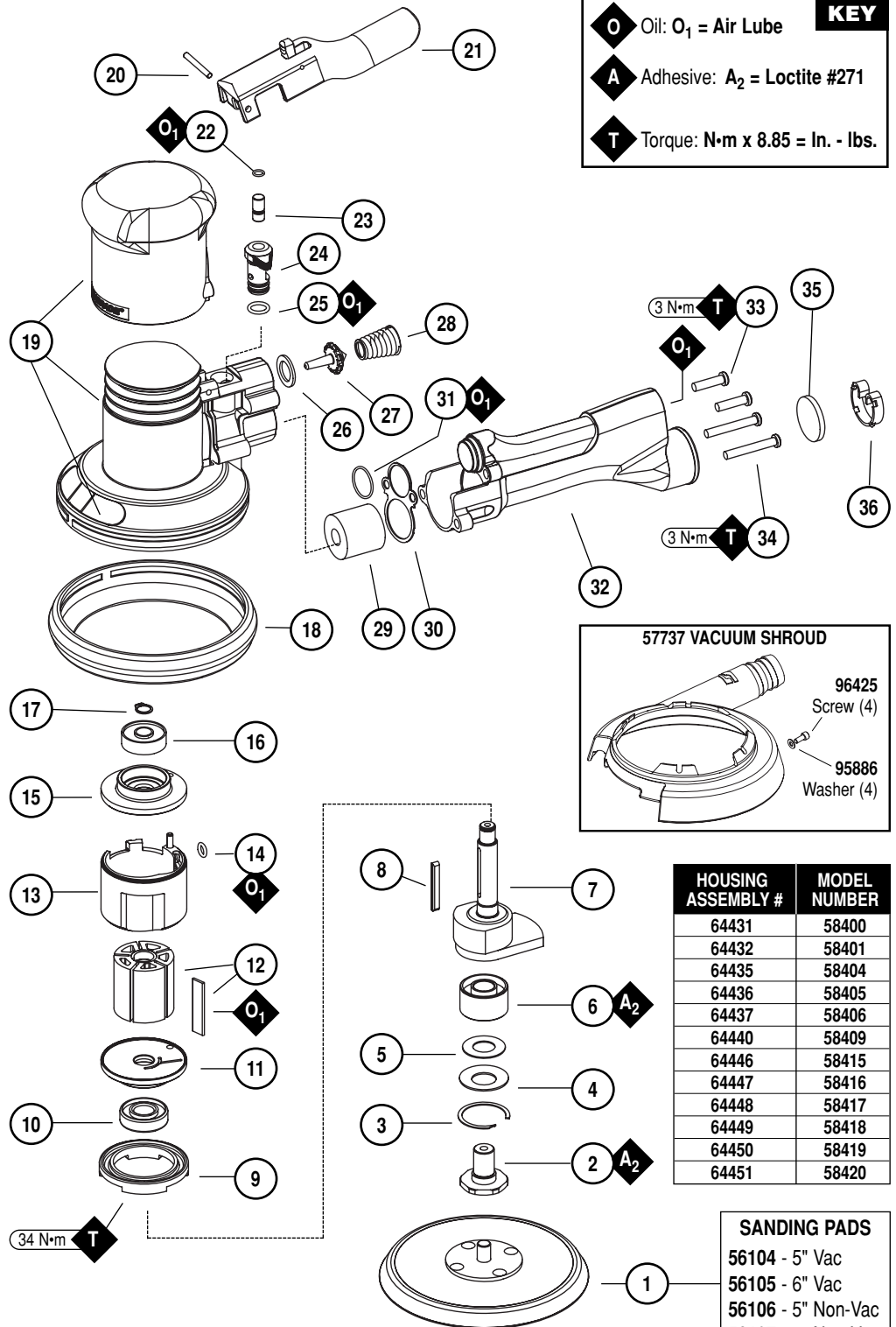
! WARNING

Always operate, inspect and maintain this tool in accordance with the Safety Code for portable air tools (ANSI B186.1) and any other applicable safety codes and regulations. Please refer to Dynabrade's Warning/Safety Operating Instructions for more complete safety information.

Index Key

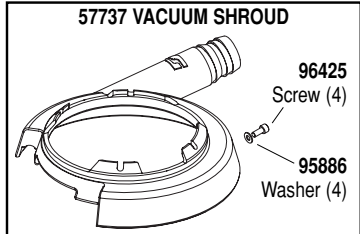
No.	Part #	Description
1		Sanding Pad: See Chart
2	57069	Balancer Shaft
3	95630	Snap Ring
4	95628	Bearing Shield
5	56053	Bearing Seal
6	56052	Bearing
7		Motor Shaft Balancer
	57364	5", 3/16" Orbit
	56687	5", 3/8" Orbit
	57365	6", 3/16" Orbit
	56688	6", 3/8" Orbit
8	54673	Key
9	56046	Lock Ring
10	02695	Bearing
11	54630	Front Bearing Plate
12	54705	Rotor/Blade Set (5/pkg.)
13	56595	Cylinder Assembly (Includes: 95865 Pin)
14	01020	O-Ring
15	54629	Rear Bearing Plate
16	01206	Bearing
17	95626	Retaining Ring
18		Shroud
	57369	Lip Seal Shroud
	57737	6" Vacuum Shroud
19		Housing Assembly: See Chart (Includes: 56581 Housing Grip and labels)
20	95627	Pin
21	56582	Safety Throttle Lever
22	98459	O-Ring
23	56579	Valve Stem
24	56578	Speed Regulator
25	01025	O-Ring (3)
26	56598	Seal
27	51944	Tip Valve
28	51943	Spring
29	56586*	Vacuum Plug
30	56469	Exhaust Gasket
31	96459	O-Ring
32	56468	Handle Housing Assy. (Includes 51938 Screen)
33	96469	Screw (2)
34	96454	Screw (2)
35	56597*	Muffler
36	56596*	Muffler Clip

*Specific Components For Models:
5", 6" Non-Vacuum
6" Central Vacuum



KEY

- O** Oil: O₁ = Air Lube
- A** Adhesive: A₂ = Loctite #271
- T** Torque: N•m x 8.85 = In. - lbs.



HOUSING ASSEMBLY #	MODEL NUMBER
64431	58400
64432	58401
64435	58404
64436	58405
64437	58406
64440	58409
64446	58415
64447	58416
64448	58417
64449	58418
64450	58419
64451	58420

SANDING PADS

56104	5" Vac
56105	6" Vac
56106	5" Non-Vac
56107	6" Non-Vac

Important Operating, Maintenance and Safety Instructions

Carefully read all instructions before operating or servicing any Dynabrade® Abrasive Power Tool.

Warning: Hand, wrist and arm injury may result from repetitive work motion and overexposure to vibration.

Important: All Dynabrade rotary vane air tools must be used with a Filter-Regulator-Lubricator to maintain all warranties.

Operating Instructions:

Warning: Eye, face, respiratory, sound and body protection must be worn while operating power tools. Failure to do so may result in serious injury or death. Follow safety procedures posted in workplace.

1. With power source disconnected from tool, securely fasten abrasive/accessory on tool.
2. Install air fitting into inlet bushing of tool. **Important:** Secure inlet bushing of tool with a wrench before attempting to install the air fitting to avoid damaging valve body housing.
3. Connect power source to tool. Be careful not to depress throttle lever in the process.
4. Air tools are not intended for use in explosive atmospheres and are not insulated for contact with electrical power sources. Sanding/Grinding certain materials can create explosive dust. It is the employers responsibility to notify the user of acceptable dust levels. Sanding/Grinding can cause sparks which can cause fires or explosions. It is the users responsibility to make sure the work area is free of flammable materials.

Maintenance Instructions:

1. Check tool speed regularly with a tachometer. If tool is operating at a higher speed than the RPM marked on the tool, the tool should be serviced to correct the cause before use.
2. Some silencers on air tools may clog with use. Clean and replace as required.
3. All Dynabrade rotary vane air motors should be lubricated. Dynabrade recommends one drop of air lube per minute for each 20 SCFM (example: if the tool specifications state 40 SCFM, set the drip rate of your filter-lubricator at 2 drops per minute). Dynabrade Air Lube (P/N 95842: 1 pt. 473 ml.) is recommended.
4. It is strongly recommended that all Dynabrade rotary vane air tools be used with a Filter-Regulator-Lubricator to minimize the possibility of misuse due to unclear air, wet air or insufficient lubrication. Dynabrade recommends the following: 11405 Air Line Filter-Regulator-Lubricator — Provides accurate air pressure regulation, two-stage filtration of water contaminants and micro-mist lubrication of pneumatic components. Operates 40 SCFM @ 100 PSIG has 3/8" NPT female ports.
5. Use only genuine Dynabrade replacement parts. To reorder replacement parts, specify the **Model #**, **Serial #**, and **RPM** of your machine.
6. A Motor Tune-Up Kit (P/N 98220) is available which includes assorted parts to help maintain motor in peak operating condition. Please refer to Dynabrade's Preventative Maintenance Schedule for a guide to expectant life of component parts.
7. Mineral spirits are recommended when cleaning the tool and parts. Do not clean tool or parts with any solvents or oils containing acids, esters, keytones, chlorinated hydrocarbons or nitro carbons.
8. DO NOT clean or maintain air tools with chemicals that have a low flash point (example: WD-40®).

Safety Instructions:

Products offered by Dynabrade should not be converted or otherwise altered from original design without expressed written consent from Dynabrade, Inc.



- **Important:** User of tool is responsible for following accepted safety codes such as those published by the American National Standards Institute (ANSI).
- Always disconnect power supply before changing abrasive/accessory or making machine adjustments.
- Inspect abrasives/accessories for damage or defects prior to installation on tools.
- Please refer to Dynabrade's Warning/Safety Operating Instructions Tag (Reorder No. 95903) for more complete safety information.

Notice

All Dynabrade motors use the highest quality parts and metals available and are machined to exacting tolerances. The failure of quality pneumatic motors can most often be traced to an unclean air supply or the lack of lubrication. Air pressure easily forces dirt or water contained in the air supply into motor bearings causing early failure. It often scores the cylinder walls and the rotor blades resulting in limited efficiency and power. Our warranty obligation is contingent upon proper use of our tools and cannot apply to equipment which has been subjected to misuse such as unclean air, wet air or a lack of lubrication during the use of this tool.

Full One Year Warranty

Following the reasonable assumption that any inherent defect which might prevail in a product will become apparent to the user within one year from the date of purchase, all equipment of our manufacture is warranted against defects in workmanship and materials under normal use and service. We shall repair or replace at our factory, any equipment or part thereof which shall, within one year after delivery to the original purchaser, indicate upon our examination to have been defective. Our obligation is contingent upon proper use of Dynabrade tools in accordance with factory recommendations, instructions and safety practices. It shall not apply to equipment which has been subject to misuse, negligence, accident or tampering in any way so as to affect its normal performance. Normally wearable parts such as bearings, contact wheels, rotor blades, etc., are not covered under this warranty.

Note: For 3/8" dia. orbit model specifications refer to corresponding 3/16" dia. orbit models

Model Number	Motor hp (W)	Motor RPM	Orbit Dia. Inch (mm)	Pad Dia. Inch (mm)	Sound Level	Maximum Air Flow CFM/SCFM (LPM)	Hose I.D. Size Inch or (mm)	Air Inlet Thread	Weight Pound (kg)	Length Inch (mm)	Height Inch (mm)
58400	.45 (336)	12,000	3/16 (5)	5 (127)	81 dB(A)	3/23 (651)	1/4 or (8)	1/4" NPT	2.5 (1.2)	11-1/16 (280)	4-15/16 (126)
58401	.45 (336)	12,000	3/16 (5)	5 (127)	84 dB(A)	3/23 (651)	1/4 or (8)	1/4" NPT	2.5 (1.1)	11-1/16 (280)	4-15/16 (126)
58405	.45 (336)	12,000	3/16 (5)	6 (152)	81 dB(A)	3/23 (651)	1/4 or (8)	1/4" NPT	2.6 (1.2)	11-3/8 (288)	4-15/16 (126)
58406	.45 (336)	12,000	3/16 (5)	6 (152)	83 dB(A)	3/23 (651)	1/4 or (8)	1/4" NPT	2.5 (1.2)	11-3/8 (288)	4-15/16 (126)
58409	.45 (336)	12,000	3/16 (5)	6 (152)	83 dB(A)	3/23 (651)	1/4 or (8)	1/4" NPT	2.7 (1.2)	11-3/8 (288)	4-15/16 (126)

Additional Specifications: Air Pressure 90 PSIG (6.2 Bar) • Thread 5/16"-24 Female

Disassembly/Assembly Instructions

Important: The manufactures warranty is void if the tool is disassembled before the warranty expires. Use these instructions in conjunction with the Part Number 57260 Tool Repair Kit. This kit includes special tooling for the proper disassembly/assembly of the Two-Hand Dynorbital Sander. This Tooling will be referred to in these instructions. An air motor Tune-Up Kit, Part Number 98220 is also available. It contains the high and medium wear components that most commonly need replacement.

Motor Disassembly:

1. Disconnect the sander from the air supply.
2. Use the **57092** Repair Collar to hold the sander in a vise. Position the sander so that the sanding pad is facing up. **Note:** Do not tighten the collar and sander in the vise. Only hold the sander snugly, so that the motor lock ring can be removed easily.
3. Use the **50679** 26mm Open End Wrench to remove the sanding pad from the sander by holding the **57069** Balancer Shaft stationary and turning the pad counterclockwise.
4. Use the **56058** Lock Ring Tool to remove the **56046** Lock Ring by turning it counterclockwise.
5. Pull the air motor assembly out of the sander housing.
6. Use the retaining ring pliers to remove the **95626** Retaining Ring.
7. Remove the **01020** O-Ring from the **56595** Cylinder and fasten a 2" bearing separator around the part of the cylinder that is closest to the **54629** Rear Bearing Plate.
8. Place the air motor with the bearing separator attached onto the **96232**, #2 Arbor Press so that the counter-balance is hanging down from the table of the arbor press.
9. Use a 5/16" dia. flat end drive punch as a press tool to push the motor shaft balancer out of the **01206** Bearing. Use **96213** Bearing Removal Tool to push the **01206** Bearing out of the **54629** Rear Bearing Plate.
10. Remove the cylinder, rotor, vanes, key and the **54630** Front Bearing Plate.
11. Use a 2" bearing separator and arbor press to remove the **02695** Bearing.
12. Fasten the counterweight of the motor shaft balancer in a vise with aluminum or bronze jaws so that the **57069** Balancer Shaft is pointing up.
13. Use a small flat blade screwdriver to remove the **95630** Snap Ring.
14. Use the **56056** Bearing Puller to remove the balancer bearing assembly.
15. Fasten the separator between the **57069** Balancer Shaft and the **95628** Washer.
16. Place the bearing separator on the table of the arbor press so that the hex end of the **57069** Balancer Shaft is pointing down. Use the 5/16" flat end drive punch as a press tool to push the balancer shaft out of the **56052** Bearing. Remove the **56053** Bearing Seal and the **95628** Bearing Shield.

Motor Disassembly Complete.

Motor Assembly:

Important: Clean and inspect all motor parts for wear or defect.

1. Balancer Assembly:
 - a.) Install the **95630** Snap Ring onto the **57069** Balancer Shaft.
 - b.) Install the **95628** Bearing Shield onto the balancer shaft so that the convex side is toward the hex portion of the balancer shaft.
 - c.) Install the **56053** Bearing Seal so that it fits down completely over the shaft step.
 - d.) Apply a small amount of the Loctite #271 (or equivalent) to the bearing surface of the **57069** Balancer Shaft.
 - e.) Orient the seal side of the **56052** Bearing toward the hex portion of the balancer shaft. Use the large end of the **57091** Bearing Press Tool along with the **96232**, #2 Arbor Press to push the **56052** Bearing onto the balancer shaft until it fits against the shaft step. (Drawing 1)
2. Fasten the counterweight of motor shaft balancer in a vise with aluminum or bronze jaws so that the bearing pocket is pointing up.
3. Apply a small amount of the Loctite #271 (or equivalent) to the outside diameter of the **56052** Bearing. Slide the balancer shaft/bearing assembly all the way into the bearing pocket of the motor shaft balancer. Secure this assembly in the motor shaft balancer by squeezing the **95630** Snap Ring into the groove in the motor shaft balancer.
4. Install the **56046** Lock Ring onto the motor shaft balancer so that the "OFF" inscription is toward the counterweight of the shaft.
5. Use the small end of the **57091** Bearing Press Tool and the arbor press to install the **02695** Bearing all the way onto the motor shaft balancer. (Drawing 2)
6. Install the **54630** Front Bearing Plate onto the **02695** Bearing and check it for smooth rotation. (Drawing 3)
7. Install the **54673** Key and **54705** Rotor/Blade Set (5) onto the motor shaft balancer.
8. Apply the **95842** Dynabrade Air Lube (10W/NR or equivalent) to the blades.
9. Install the **56595** Cylinder over the rotor so that the short line-up pin fits into the front bearing plate.
10. Place the **54629** Rear Bearing Plate over the shaft so that the long line-up pin fits through the hole in the rear bearing plate. Use the small end of the **57091** Bearing Press Tool to install the **01206** Bearing onto the motor shaft balancer and into the **54629** Rear Bearing Plate. Use the press tool and the arbor press to install these so that there is a snug fit between the bearing plates and the cylinder. **Note:** Carefully press the **01206** Bearing onto the motor shaft balancer. (Drawing 4)
11. Use retaining ring pliers to install the **95626** Retaining Ring so that the concave side of the ring is toward the motor assembly.
Note: Be sure that the retaining ring is completely pressed down into the groove on the shaft.
12. Use the **57092** Repair Collar to hold the housing in a vise so that the opening for the motor is facing up.
13. Apply a small amount of petroleum lubricant to the **01020** O-Ring and install the o-ring into the air inlet hole in the cylinder.
14. Install the motor assembly into the housing making sure to align the line-up pin with the line-up hole that is on the inside of the housing.
15. Use the **56058** Lock Ring Tool to secure the motor in the housing. (Torque to 34 N·m/300 in. lbs.)
16. Install the appropriate shroud and weight-mated sanding pad.

Motor Assembly Complete.

Handle and Valve Disassembly:

1. Place the **57092** Repair Collar around the housing so that the handle is pointing up.
2. Use a Phillips screwdriver to remove the four screws that fasten the handle to the housing. Carefully pull the handle from the housing. This provides access to the tip valve components, also the handle; o-ring, gasket and vacuum plug.
3. Use a 1/8" dia. flat end drive punch to remove the **95627** Pin and the **56582** Safety Throttle Lever Assembly.
4. Pull the **56578** Speed Regulator and valve stem out of the housing.

Handle and Valve Disassembly Complete.

Handle and Valve Assembly:

1. Place the **57092** Repair Collar around the housing so that the handle mounting area is facing up.
2. Install the **01025** O-Rings (3) onto the **56578** Speed Regulator, apply a small amount of petroleum lubricant to the o-rings and insert the regulator assembly into the housing. **Note:** Be careful that the o-rings do not get caught and pulled out of the o-ring grooves.

(continued text and diagrams on next page)

3. Install the **98459** O-Ring onto the **56579** Valve Stem, apply a small amount of petroleum lubricant to the o-ring and insert the shortest portion (from the end to the o-ring) of the valve stem assembly into the speed regulator.
4. Install the **56582** Safety Throttle Lever Assembly onto the housing and secure it in place with the **95627** Pin.
5. Install the **56598** Seal into the air inlet passage of the housing.
6. Install the **56586** Vacuum Plug into the exhaust passage of the housing. (See Exploded View)
7. Use needle-nose pliers to grasp and install the **51944** Tip Valve so that it fits under the **56579** Valve Stem.
8. Install the large end of the **51943** Spring into the air inlet passage of the handle.
9. Install the **56469** Gasket onto the mounting surface of the handle.
10. Apply a small amount of petroleum lubricant to the **96459** O-Ring and install it onto the outside diameter of the air inlet passage at the location of the first shoulder.
11. Connect the handle to the housing and secure it in place with the four screws. (Torque to 3 N·m/26 in.- lbs.)
Note: The two longer screws, Part Number **96454** (2) also secure the **56581** Grip to the housing.
12. Install the **56597** Muffler and secure it in place with the **56596** Muffler Clip. (See Exploded View)

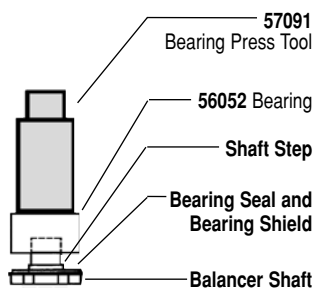
Handle and Valve Assembly Complete. Tool Assembly Complete. Please allow 30 minutes for adhesives to cure before operating tool.

Important: Motor should now be tested for proper operation at 90 PSIG. If motor does not operate properly or operates at a higher RPM than marked on the tool, the tool should be serviced to correct the cause before use. Before operating, place 2-3 drops of Dynabrade Air Lube (P/N **95842**) directly into air inlet with throttle lever depressed. Operate tool for 30 seconds to determine if tool is operating properly and to allow lubricating oils to properly penetrate motor.

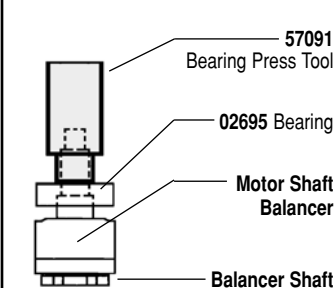
Loctite® is a registered trademark of Loctite Corp.

Diagrams

Drawing 1

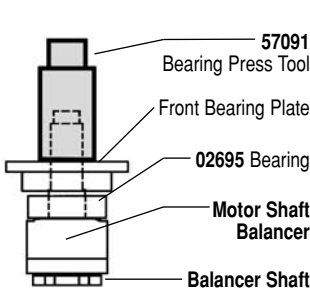


Drawing 2

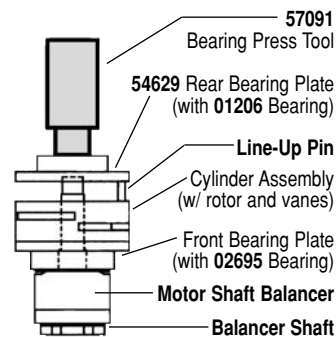


Important: Lock Ring must now be placed over sub-assembly. Not shown in drawings.

Drawing 3



Drawing 4



Optional Accessories



98220 Motor Tune-Up Kit

- Includes assorted parts to help maintain and repair motor.



Dynabrade Air Lube

- Formulated for pneumatic equipment.
- Absorbs up to 10% of its weight in water.
- Prevents rust and formation of sludge.
- Keeps pneumatic tools operating longer with greater power and less down time.

95842: 1pt. (473 ml)

95843: 1gal. (3.8 L)



96232 (#2) Arbor Press

- This arbor press is ideal for the disassembly and assembly of air motors.



57260 Motor Repair Kit:

- Contains special tools for disassembly/assembly of machine.



96346 2" Bearing Separator

- Use the separator to remove gears and bearings.



Visit Our Web Site: www.dynabrade.com

Email: Customer.Service@Dynabrade.com

DYNABRADE, INC., 8989 Sheridan Drive • Clarence, NY 14031-1490 • Phone: (716) 631-0100 • Fax: 716-631-2073 • International Fax: 716-631-2524
DYNABRADE EUROPE S.à.r.l., Zone Artisanale • L-5485 Wormeldange—Haut, Luxembourg • Telephone: 352 76 84 94 1 • Fax: 352 76 84 95 1