

**NOTE:** 11480 DYNABELTER VERSATILITY KIT INCLUDES MODEL 11475 DYNABELTER.  
11481 DYNABELTER VERSATILITY KIT INCLUDES MODEL 11476 DYNABELTER.

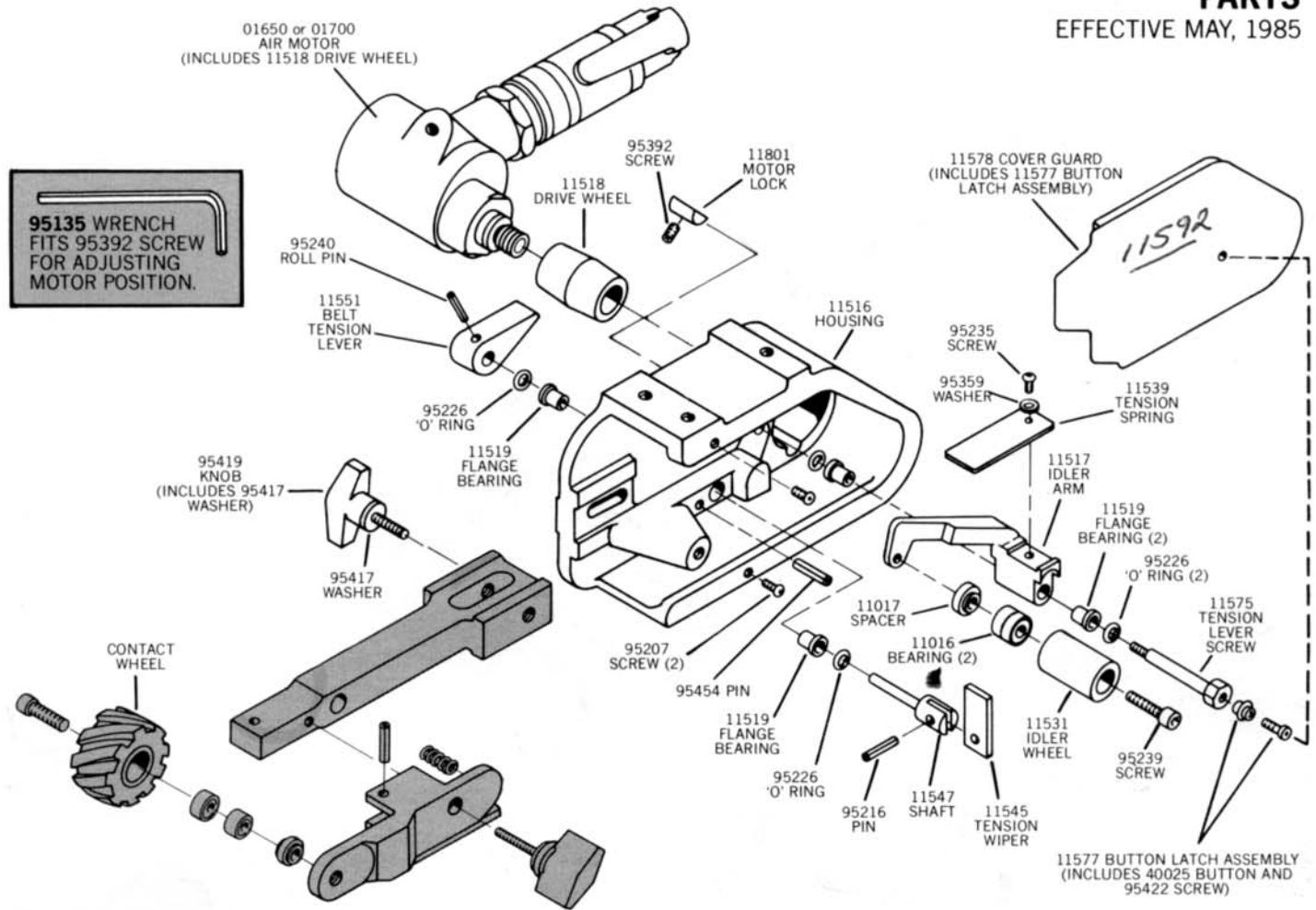
# Dynabelter®

## 1" WIDE ABRASIVE BELT CAPACITY

### MODELS 11475 AND 11476

#### PARTS

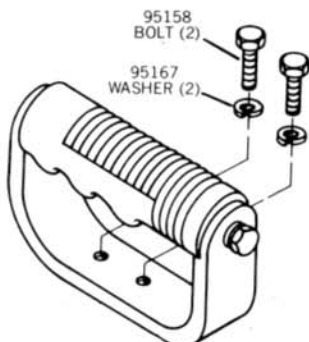
EFFECTIVE MAY, 1985



SHADED PARTS INDICATE COMPLETE STANDARD CONTACT ARM ASSEMBLY (SEE PAGE 3).

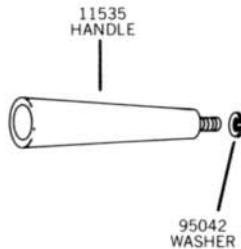
### 11548 TOP HANDLE ASSEMBLY

Mounts to top of machine housing.  
Standard on Model 11476  
Optional for Model 11475



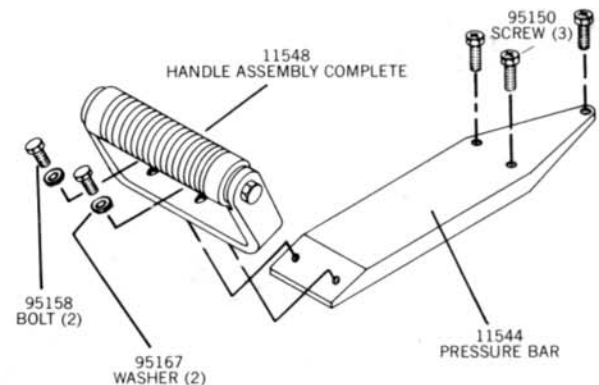
### 11535 SIDE HANDLE

Mounts to side of machine housing.  
Standard on Model 11475  
Optional for Model 11476



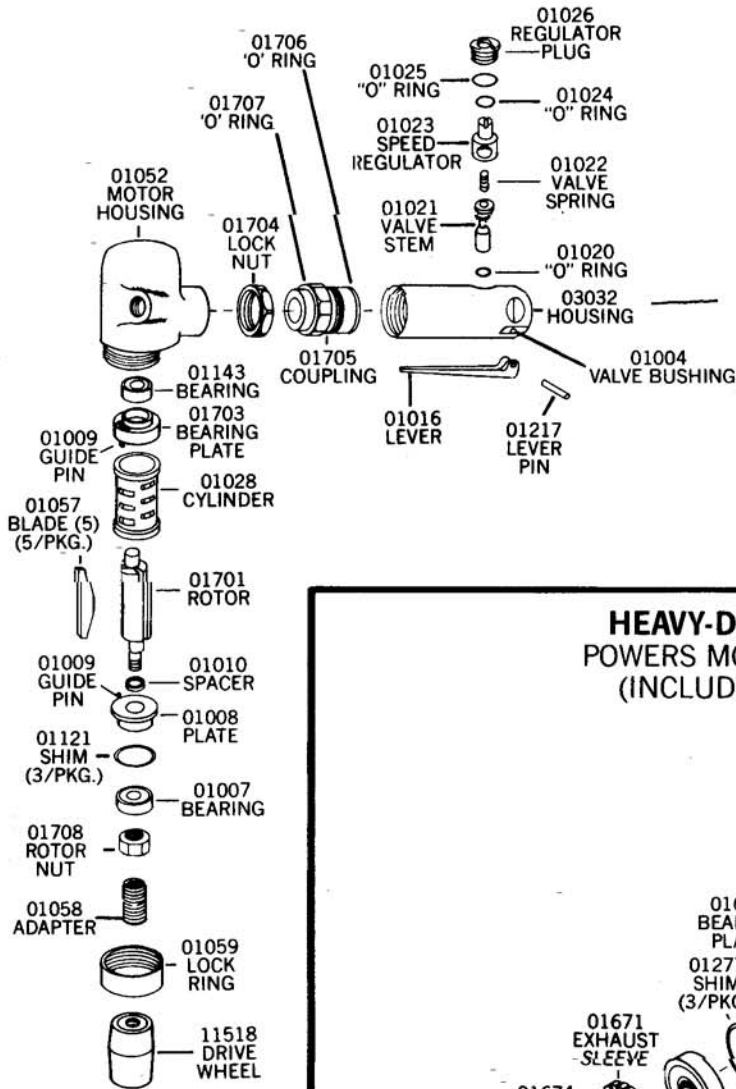
### 11705 PRESSURE BAR ASSEMBLY

Mounts to top of machine housing.  
Optional for both Dynabelter Models 11475 and 11476



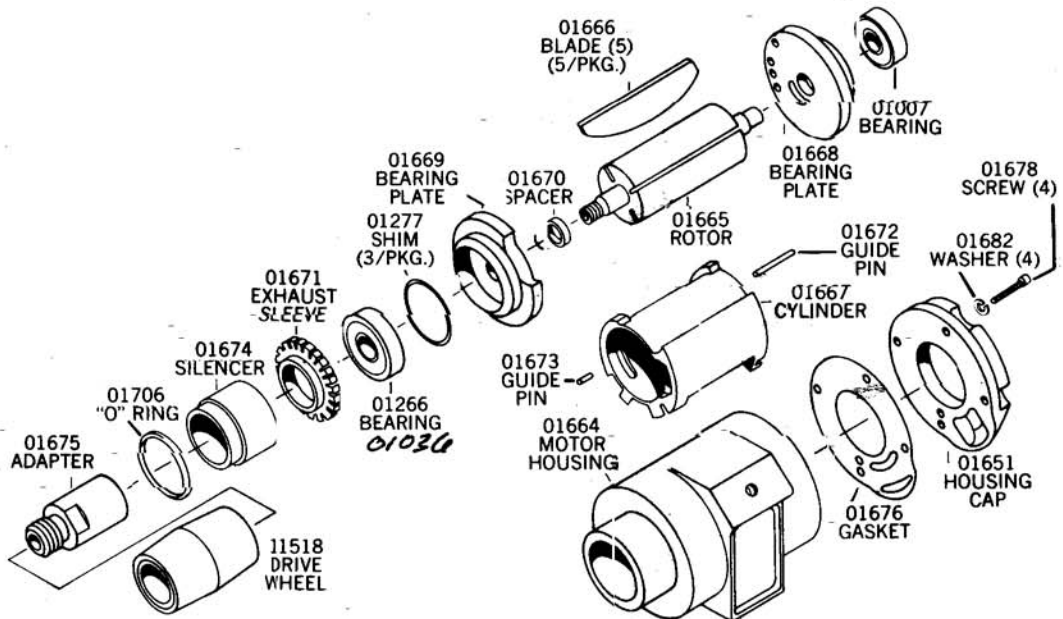
**NOTE: TO ORDER REPLACEMENT PARTS SPECIFY THE MODEL AND SERIAL NUMBER OF YOUR MACHINE.**

# Dynabelter® AIR MOTOR PARTS



## STANDARD DUTY AIR MOTOR-01700 POWERS MODEL 11475 DYNABELTER® (INCLUDES 11518 DRIVE WHEEL)

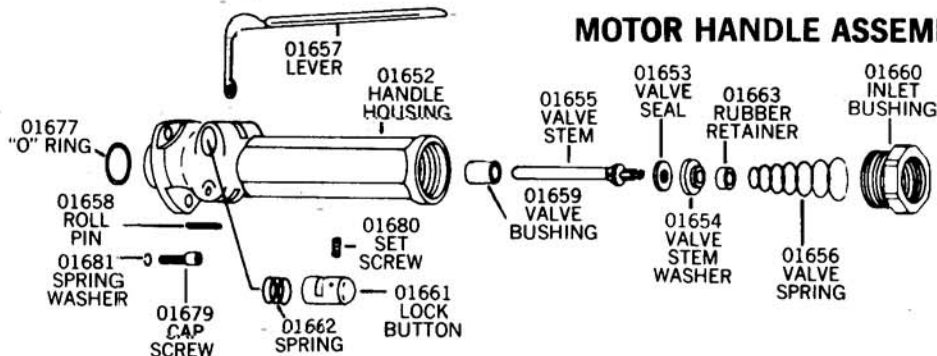
## HEAVY-DUTY AIR MOTOR-01650 POWERS MODEL 11476 DYNABELTER® (INCLUDES 11518 DRIVE WHEEL)



**11588 DRIVE WHEEL**  
AVAILABLE FOR EITHER  
MOTOR. ALLOWS TOOL TO  
OPERATE AT A SLOWER  
SPEED (2,400 SFPM).

**IMPORTANT:** ALL  
DYNABRADE AIR TOOLS  
MUST BE USED WITH A  
FILTER-REGULATOR-  
LUBRICATOR TO MAINTAIN  
ALL WARRANTIES.

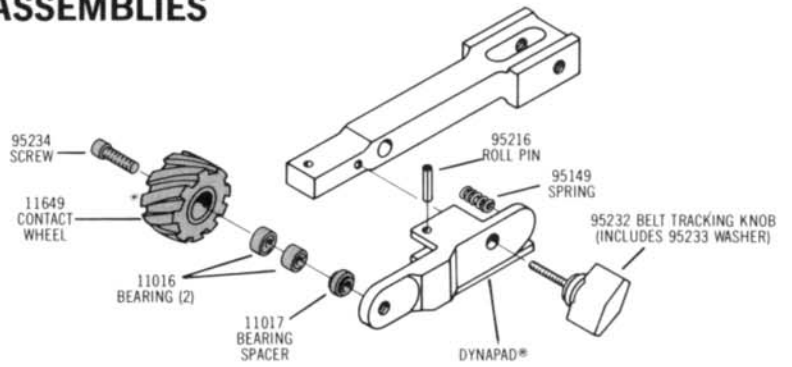
## MOTOR HANDLE ASSEMBLY



# Dynabelter® CONTACT ARM ASSEMBLIES

## 11681 STANDARD CONTACT ARM ASSEMBLY

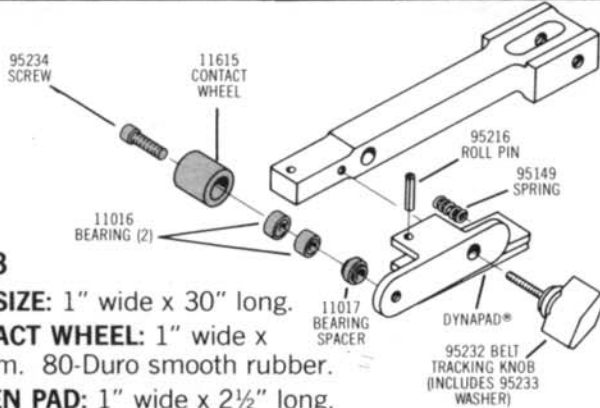
**BELT SIZE:** 1" wide x 30" long.  
**CONTACT WHEEL:** 1" wide x 2" diam.  
 70-Duro standard serrated urethane.  
 (Other wheels may be substituted,  
 see chart on next page.)  
**PLATEN PAD:** 1" wide x 2½" long.  
 Shaded parts indicate  
 11650 Contact Wheel Assembly.



## OPTIONAL CONTACT ARM ASSEMBLIES

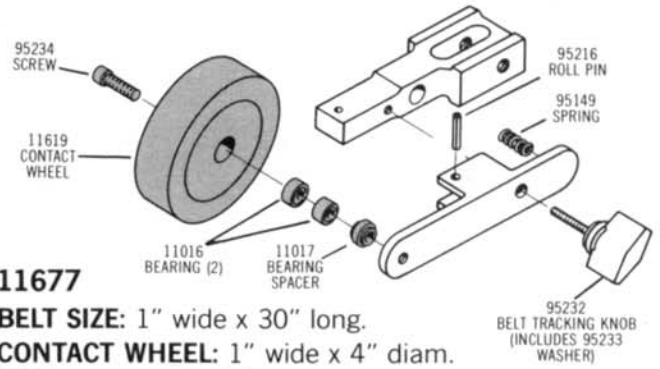
### 11663

**BELT SIZE:** 1" wide x 30" long.  
**CONTACT WHEEL:** 1" wide x 1" diam. 80-Duro smooth rubber.  
**PLATEN PAD:** 1" wide x 2½" long.  
 Shaded parts indicate 11616 Contact Wheel Assembly.



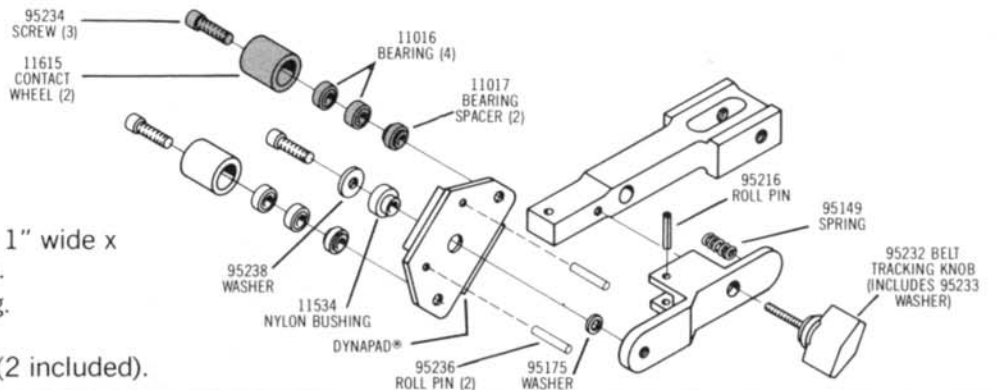
### 11677

**BELT SIZE:** 1" wide x 30" long.  
**CONTACT WHEEL:** 1" wide x 4" diam.  
 40-Duro smooth rubber.  
 Shaded parts indicate 11620 Contact Wheel Assembly.



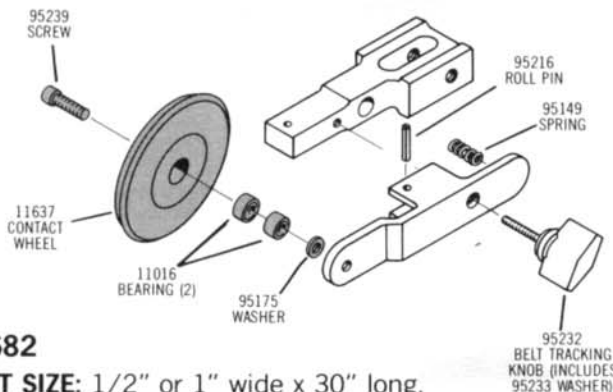
### 11668 — "STROKE SANDER"

**BELT SIZE:** 1" wide x 30" long.  
**CONTACT WHEELS:** Both wheels 1" wide x 1" diam. 80-Duro smooth rubber.  
**PLATEN PAD:** 1" wide x 1⅞" long.  
 Shaded parts indicate  
 11616 Contact Wheel Assembly (2 included).



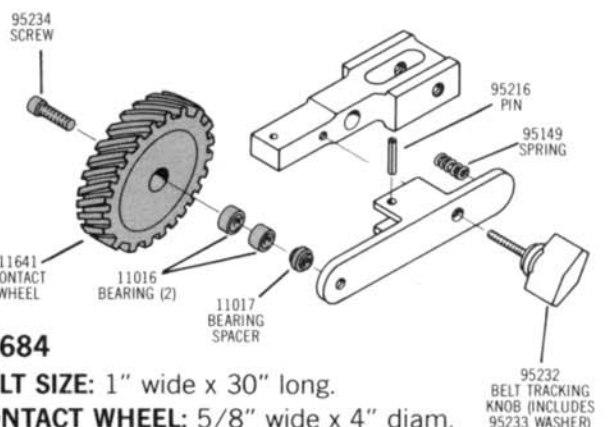
### 11682

**BELT SIZE:** ½" or 1" wide x 30" long.  
**CONTACT WHEEL:** ½" wide x 4" diam.  
 70-Duro radiused rubber.  
 Shaded parts indicate 11638 Contact Wheel Assembly.



### 11684

**BELT SIZE:** 1" wide x 30" long.  
**CONTACT WHEEL:** 5/8" wide x 4" diam.  
 40-Duro standard serrated rubber.  
 Shaded parts indicate 11642 Contact Wheel Assembly.

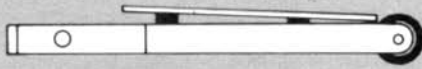


**NOTE:** ARM EXTENDERS ARE AVAILABLE: 11656 FOR 42" BELTS; 11657 FOR 54" BELTS.  
 DYNABELTER® VERSATILITY KITS INCLUDE THESE CONTACT ARM ASSEMBLIES: 11681, 11682, 11684, AND  
 THE 11228 DYNAFIL® CONTACT ARM (SEE NEXT PAGE) WITH 11739 MOUNTING ADAPTER.

# Dynabelter®

DYNAFILE® CONTACT ARMS FOR WORK IN TIGHT AREAS MAY BE MOUNTED ON DYNABELTER®. USE OF 11739 MOUNTING ADAPTER IS REQUIRED.

THE 11228 HEAVY-DUTY DYNAFILE® CONTACT ARM ASSEMBLY, ALONG WITH THE 11739 MOUNTING ADAPTER, IS INCLUDED IN DYNABELTER® KITS.

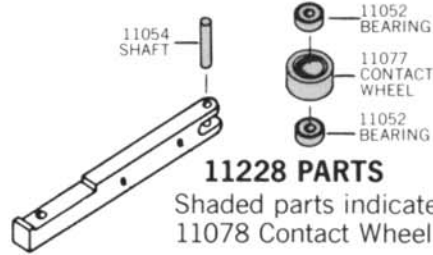
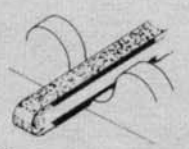


## 11228 HEAVY-DUTY

**BELT SIZE:** 1/2" wide x 30" long.

**CONTACT WHEEL:** 3/8" wide x 5/8" diam. rubber.

Accepts optional 11028 metal Dynapad® for heavy grinding.



## 11228 PARTS

Shaded parts indicate 11078 Contact Wheel Assembly.

IN ADDITION TO THE ABOVE 11228 ARM, THE CHART BELOW SUMMARIZES OTHER DYNAFILE® CONTACT ARMS THAT ARE AVAILABLE FOR USE WITH DYNABELTER®. ALL MOUNT WITH 11739 ADAPTER, NOT INCLUDED.

CONTACT ARM ASSEMBLY	ABRASIVE BELT SIZE	CONTACT WHEEL DESCRIPTION	CONTACT WHEEL ASSEMBLY	CONTACT WHEEL ONLY	BEARING (2/REQ.)	SHAFT	PLATEN PAD WIDTH
11215	1/4"W x 30"L	Steel 1/8"W x 7/16" Diam.	11072	11071	11052	11053	1/4"
11216	1/4"W x 30"L	Rubber 1/8"W x 5/8" Diam.	11074	11073	11052	11053	1/4"
11217	1/2"W x 30"L	Steel 3/8"W x 1/2" Diam.	11076	11075	11052	11054	1/2"
11218	1/2"W x 30"L	Rubber 3/8"W x 5/8" Diam.	11078	11077	11052	11054	1/2"
11219	1/4" or 1/2"W x 30"L	Radiused rubber 3/8"W x 1" Diam.	11080	11079	11052	11054	—
11231	1/2"W x 30"L	Rubber 1/2"W x 3/4" Diam.	11084	11083	11052	11055	1/2"
11232	1/4"W x 30"L	Tapered urethane 3/8"W x 1" Diam.	11086	11085	11052	11054	—

30" LONG COATED ABRASIVE BELTS UNIT = 200 BELTS			
Grit	Part Numbers		
	1/4"W	1/2"W	1"W
<b>ALUMINA ZIRCONIA</b>			
36	—	90500	90506
60	—	90503	90508
80	—	90505	90518
<b>ALUMINUM OXIDE</b>			
36	—	90501	90507
60	90466	90502	90509
80	90468	90492	90510
120	90470	90504	90511
180	90471	90493	90512
220	—	90494	90513
320	90473	90496	90514
500	—	90498	90516
<b>30" NON-WOVEN NYLON UNIT = 12 BELTS</b>			
very fine	—	90406	90401
medium	—	90436	90437
coarse	—	90442	90444
<b>30" CLOTH POLISHING/UNIT = 25 BELTS</b>			
—	—	—	90015

## DYNABELTER® STANDARD CONTACT WHEELS

A 70-DURO STANDARD SERRATED URETHANE CONTACT WHEEL IS SUPPLIED WITH THE STANDARD 11681 CONTACT ARM. OTHER CONTACT WHEEL ASSEMBLIES ARE AVAILABLE FOR THAT ARM:

DUROMETER	WHEEL SERRATION	COLOR	1/2"W	1"W
90	Scoop	Amber	—	11614
90	Standard	Amber	11644*	11618
80	Standard	Blue	—	11652
70	Standard	Green	—	11650
60	Standard	Red	—	11648

\*11694 wheel mount required, not included.

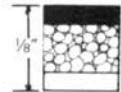
**NOTE:** Higher durometer indicates harder wheel for more aggressiveness. Scoop serration also is more aggressive than standard serration.

ALL ABRASIVE PRODUCTS AND FILES ARE ASSORTABLE IN COMPLETE UNIT QUANTITIES FOR BEST PRICE.

## PSA DYNAPAD® PLATEN PADS

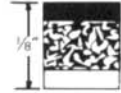
Mount on contact arm to provide support for the abrasive belt. Easily trimmed to size.

**SOFT** — (Sponge)



11032 — 1/4"W x 1 3/8"L — 24/pkg.  
11025 — 1/2"W x 5 1/2"L — 6/pkg.  
11604 — 1"W x 2 1/2"L — 12/pkg.

**HARD** — (Cork)



11033 — 1/4"W x 1 3/8"L — 24/pkg.  
11026 — 1/2"W x 5 1/2"L — 6/pkg.  
11605 — 1"W x 2 1/2"L — 12/pkg.

**THIN**

use with arms having small diam. contact wheels such as 11215 Dynafiler® arm.



11034 — 1/4"W x 1 3/8"L — 24/pkg.  
11027 — 1/2"W x 5 1/2"L — 6/pkg.



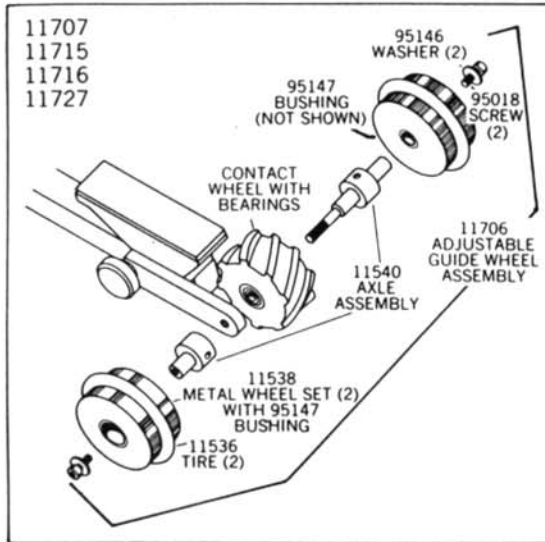
## ABRASIVE POWER TOOLS

DYNABRADE, INC.

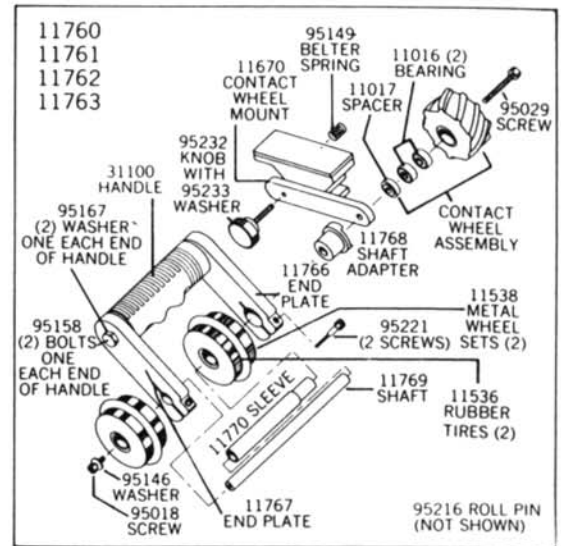
72 EAST NIAGARA STREET, TONAWANDA, NEW YORK 14150, 716-694-4600/TELEX 646540 "DYNABRADE, TWDA"



# Accu-Grinder™ (CONTINUED) special arms

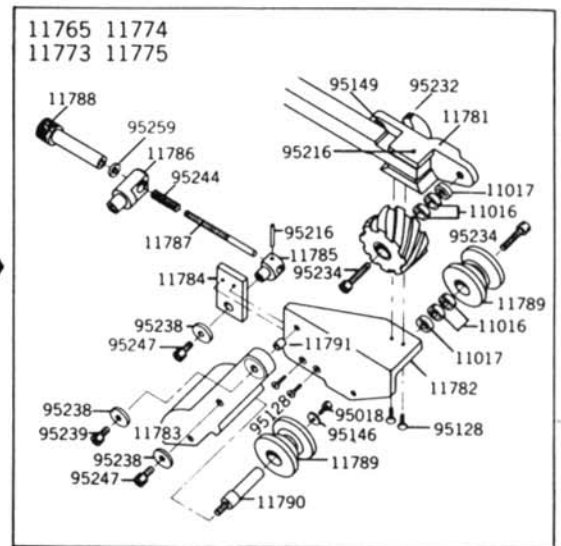


Adjustable rubber guide tire contact arm assembly. Tires parallel with contact wheel for 180°.



Edge weld grinding contact arm assembly

45° BEVEL GRINDER CONTACT ARM ASSEMBLY					
Part Number	Description	Part Number	Description	Part Number	Description
11016	Bearing (4)	11788	Adjustment Knob	95149	Spring
11017	Bearing Spacer (2)	11789	Corner Wheel with bushing	95216	Pin (2)
11781	Wheel Mount			95232	Adjustment Knob
11782	Anchor Bracket	11789	Corner Wheel without bushing	95234	Screw (2)
11783	Depth Control Arm			95238	Washer (3)
11784	Anchor Plate	11790	Wheel Shaft	95239	Screw (1)
11785	Anchor Post	11791	Sleeve	95244	Spring
11786	Adjustment Post	95018	Screw (1)	95247	Screw (2)
11787	Toggle Stud	95128	Screw (4)	95259	Nylon Washer
		95146	Steel Washer		



45° Bevel grinder contact arm assembly

	ADJUSTABLE GUIDE WHEEL ASSEMBLIES WITH COMPLETE CONTACT ARM ASSEMBLIES			
	COMPLETE ASSEMBLY PART NUMBERS			
Urethane contact wheel assemblies	Adjustable Rubber guide tires	Adjustable Urethane guide tires	Edge weld grinder	45° Bevel arm
2" OD x 1" wide-90 duro standard serrated 11618	11707	11717 see page 5	11763	11765
*2" OD x 1" wide-90 duro scoop serrated 11614	11715	11718 see page 5	11761	11773
2" OD x 1/2" wide-90 duro standard serrated 11644	11716	11719 see page 5	11762	11774
2" OD x 1" wide-40 duro plain face rubber 11634	11727	11728 see page 5	11760	11775

\* Scoop serrations provide more aggressive cutting action on stainless steel and other exotic metals.

## DYNABRADE

ABRASIVE POWER TOOLS

DYNABRADE, INC.  
72 E. Niagara St., Tonawanda, N.Y. 14150 (716) 694-4600 Telex 646540 Dynabrade, TWDA