

Wet Dynorbital® Supreme

Model:
57571 - 3-1/2" Non-Vacuum

3/16" Dia. Orbit, 12,000 RPM
Air Powered Random Orbital Sander

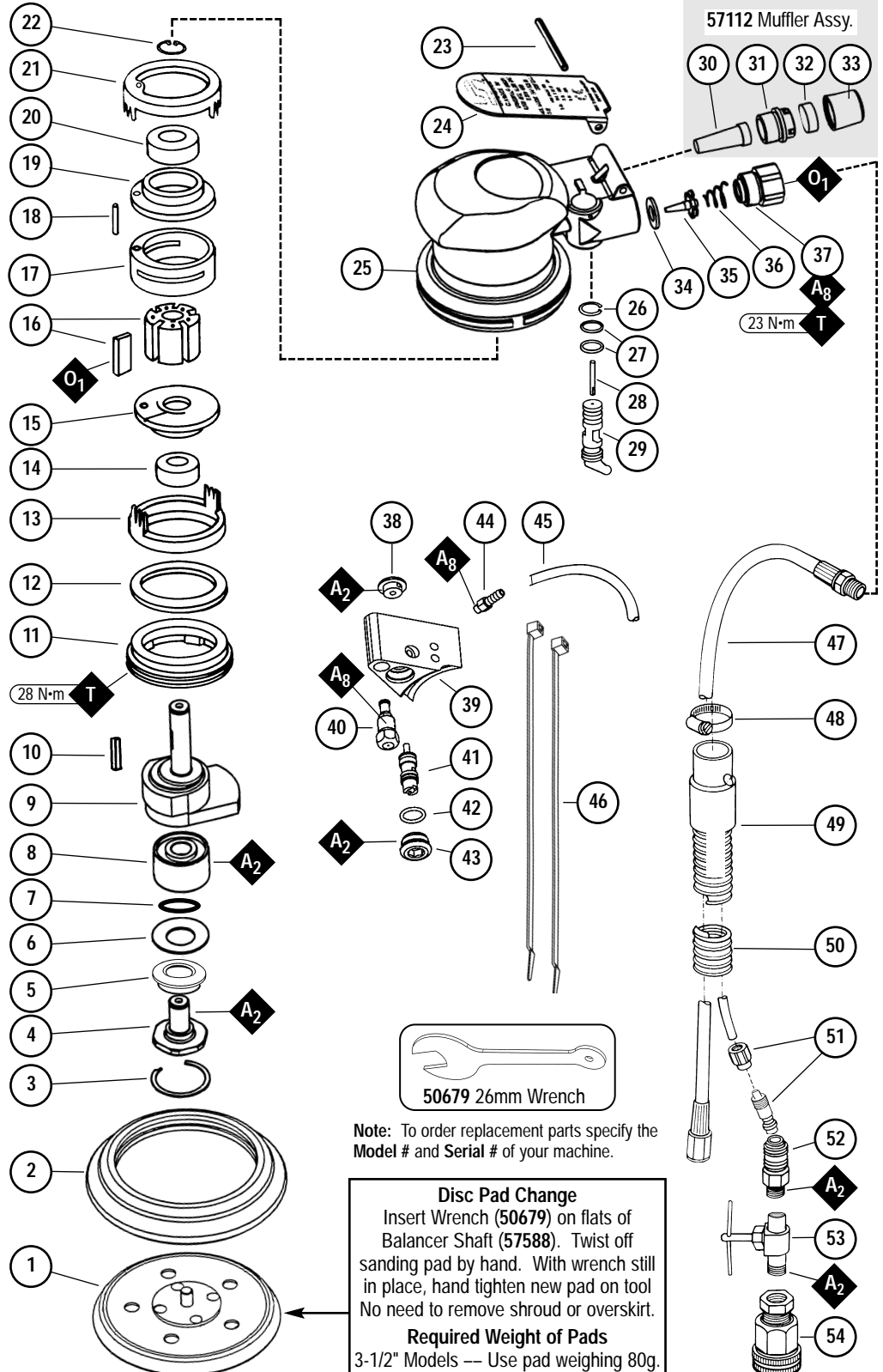
⚠ WARNING

Always operate, inspect and maintain this tool in accordance with the Safety Code for portable air tools (ANSI B186.1) and any other applicable safety codes and regulations. Please refer to Dynabrade's Warning/Safety Operating Instructions for more complete safety information.

KEY	
O	Oil: O ₁ = Air Lube
A	Adhesive: A ₂ = Loctite #271 A ₈ = Loctite #567
T	Torque: N•m x 8.85 = In. - lbs.

Index Key

No.	Part #	Description
1	54311	3-1/2" Pad
2	54458	3-1/2" Shroud
3	95631	Snap Ring
4	57588	Balancer Shaft
5	96154	V-Ring Seal
6	57589	Bearing Shield
7	96153	O-Ring
8	56052	Bearing
9	57590	Motor Shaft Balancer
10	56047	Key
11	57059	Lock Ring
12	96155	Washer
13	57055	Front Ring
14	57088	Bearing
15	57587	Front Bearing Plate
16	57113	Rotor/Blade Set
17	57058	Cylinder Assembly (Incl. 95971 Pin)
18	95971	Pin
19	57056	Bearing Plate
20	01206	Bearing
21	57054	Rear Ring
22	95626	Retaining Ring
23	95979	Pin
24	57063	Lever
25	57581	Housing
26	96159	Snap Ring
27	01025	O-Ring (2)
28	01477	Valve Stem
29	57064	Speed Regulator
30	57053	Recessed Speed Reg.
31	57065	Cone Muffler
32	57066	Muffler Body
33	56027	Muffler Insert (2)
34	56028	Muffler Cap
35	01464	Seal
36	01472	Tip Valve
37	01468	Spring
38	01494	Inlet Bushing
39	57751	Button
40	57724	Bracket
41	57728	Nozzle
42	57727	Valve Cartridge
43	95523	O-Ring
44	56076	Throttle Valve
45	95074	Hose Fitting
46	95955	Water Hose
47	57729	Tie Cable (2)
48	95816	Air Line
49	95717	Hose Clamp
50	95956	Cuff
51	95958	Hose
52	95962	Male Disconnect
53	95963	Female Disconnect
54	95965	Needle Valve
54	95964	Hose Bib



Note: To order replacement parts specify the Model # and Serial # of your machine.

Disc Pad Change
Insert Wrench (50679) on flats of Balancer Shaft (57588). Twist off sanding pad by hand. With wrench still in place, hand tighten new pad on tool. No need to remove shroud or overskirt.

Required Weight of Pads
3-1/2" Models — Use pad weighing 80g.

Important Operating, Maintenance and Safety Instructions

Carefully read all instructions before operating or servicing any Dynabrade® Abrasive Power Tool.

Warning: Hand, wrist and arm injury may result from repetitive work motion and overexposure to vibration.

Important: All Dynabrade Rotary Vane air tools must be used with a Filter-Regulator-Lubricator to maintain all warranties.

Operating Instructions:

Warning: Eye, face, respiratory, sound, and body protection must be worn while operating power tools. Failure to do so may result in serious injury or death. Follow safety procedures posted in workplace.

1. With power source disconnected from tool, securely fasten abrasive/accessory on tool.
2. Install air fitting into inlet bushing of tool.
Important: Secure inlet bushing of tool with a wrench before attempting to install the air fitting to avoid damaging valve body housing.
3. Connect power source to tool. Be careful not to depress throttle lever in the process.
4. Check tool speed with tachometer. If tool is operating at a higher speed than the RPM marked on the tool or operating improperly, the tool should be serviced to correct the cause before use.

Maintenance Instructions:

1. Check tool speed regularly with a tachometer. If tool is operating at a higher speed than the RPM marked on the tool, the tool should be serviced to correct the cause before use.
2. Some silencers on air tools may clog with use. Clean and replace as required.
3. All Dynabrade Rotary Vane air motors should be lubricated. Dynabrade recommends one drop of air lube per minute for each 20 SCFM (example: if the tool specifications states 40 SCFM, set the drip rate of your filter-lubricator at 2 drops per minute). Dynabrade Air Lube (P/N 95842: 1 pt. 473 ml.) is recommended.
4. An Air Line Filter-Regulator-Lubricator must be used with this air tool to maintain all warranties. Dynabrade recommends the following: 11405 Air Line Filter-Regulator-Lubricator — Provides accurate air pressure regulation, two-stage filtration of water contaminants and micro-mist lubrication of pneumatic components. Operates 40 SCFM @ 100 PSIG has 3/8" NPT female ports.
5. Use only genuine Dynabrade replacement parts. To reorder replacement parts, specify the **Model #**, **Serial #**, and **RPM** of your machine.
6. A Motor Tune-Up Kit (P/N 96018) is available which includes assorted parts to help maintain motor in peak operating condition.
7. Mineral spirits are recommended when cleaning the tool and parts. Do not clean tool or parts with any solvents or oils containing acids, esters, keytones, chlorinated hydrocarbons or nitro carbons.

Safety Instructions:

Products offered by Dynabrade should not be converted or otherwise altered from original design without expressed written consent from Dynabrade, Inc.



- **Important:** User of tool is responsible for following accepted safety codes such as those published by the American National Standards Institute (ANSI).
- Operate machine for one minute before application to workpiece to determine if machine is working properly and safely before work begins.
- Always disconnect power supply before changing abrasive/accessory or making machine adjustments.
- Inspect abrasives/accessories for damage or defects prior to installation on tools.
- Please refer to Dynabrade's Warning/Safety Operating Instructions Tag (Reorder No. 95903) for more complete safety information.

Notice

All Dynabrade motors use the highest quality parts and metals available and are machined to exacting tolerances. The failure of quality pneumatic motors can most often be traced to an unclean air supply or the lack of lubrication. Air pressure easily forces dirt or water contained in the air supply into motor bearings causing early failure. It often scores the cylinder walls and the rotor blades resulting in limited efficiency and power. Our warranty obligation is contingent upon proper use of our tools and cannot apply to equipment which has been subjected to misuse such as unclean air, wet air or a lack of lubrication during the use of this tool.

One Year Warranty

Following the reasonable assumption that any inherent defect which might prevail in a product will become apparent to the user within one year from the date of purchase, all equipment of our manufacture is warranted against defects in workmanship and materials under normal use and service. We shall repair or replace at our factory, any equipment or part thereof which shall, within one year after delivery to the original purchaser, indicate upon our examination to have been defective. Our obligation is contingent upon proper use of Dynabrade tools in accordance with factory recommendations, instructions and safety practices. It shall not apply to equipment which has been subject to misuse, negligence, accident or tampering in any way so as to affect its normal performance. Normally wearable parts such as bearings, contact wheels, rotor blades, etc., are not covered under this warranty.

Model Number	Motor HP (W)	Motor RPM	Pad Dia. Inch (mm)	Sound Level	Air Flow Rate CFM/SCFM (LPM)	Air Pressure PSIG (Bars)	Weight Pound (kg)	Length Inch (mm)	Height Inch (mm)
57571	.24 (179)	10,000	3-1/2 (89)	76 dB(A)	3/18 (510)	90 (6.2)	2.1 (1.0)	6 (152)	3-3/4" (95)

Additional Specifications: Spindle 5/16"-24 Female • Air Inlet Thread 1/4" NPT • Hose Size 1/4" (8 mm)

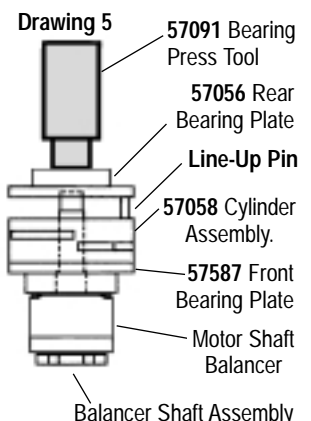
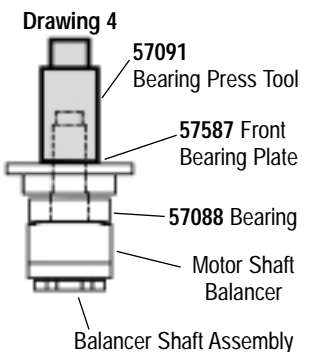
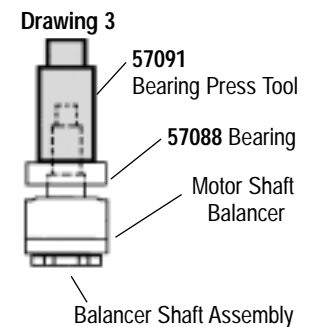
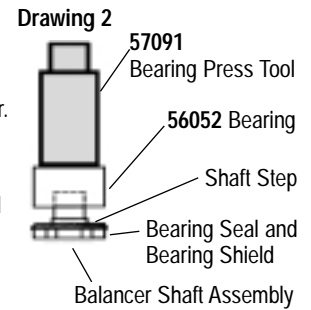
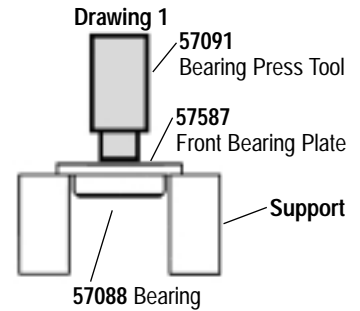
Motor Assembly/Disassembly Instructions - Wet Dynorbital® Supreme

Important: Manufacturer's warranty is void if tool is disassembled before warranty expires.

A complete repair kit, part number 57098, is available which includes special tools for correct disassembly/assembly of tool.

To Disassemble:

1. Disconnect tool from the air supply.
2. Invert machine and secure in vice, using 57092 Collar (supplied in 57098 Repair Kit) or padded jaws.
3. Remove sanding pad with 26 mm open-end wrench (supplied with sander) and shroud or overskirt.
4. Insert 56058 Lock Ring Tool (supplied in 57098 Repair Kit) into corresponding tabs of lock ring and unscrew. Motor may now be lifted out for service. **Note:** To get it started use a 26 mm wrench for leverage.
5. Remove lock ring, washer, front ring and rear ring from motor.
6. Remove 95626 Snap Ring, motor may now be disassembled.
7. Remove the rear plate and the cylinder assembly by securing the cylinder in a bearing separator gripped on the cylinder exhaust and extra pocket area. Push the motor shaft balancer through the bearing.
8. Remove the rotor, vanes and rotor key from the motor shaft balancer. Remove the front plate using a small (#2) arbor press. Support the edges of the front plate while pressing on the small end of the motor shaft balancer.
9. a.) If, during step 7, the front plate and 57088 Bearing remain together, press 57088 Bearing out of the front plate using 57091 Press Tool (supplied in 57098 Repair Kit) as shown in **Drawing 1**.
b.) If, during step 7, front plate and 57088 Bearing remains on motor shaft balancer, it can be removed with a bearing separator.
10. Remove 01206 Bearing from the rear plate by using a bearing press tool.
11. Disassemble the balancer assembly as follows:
 - a.) Place motor shaft assembly into a soft jaw vise. Using a thin screwdriver, pick out the end of 95631 Snap Ring and peel out. This will loosen the balancer assembly.
 - b.) Screw the threaded portion of the 56056 Bearing Puller (supplied in 57098 Repair Kit) into the 57588 Balancer Shaft and heat the outside of the motor shaft balancer to approximately 200° F (approximately 10 seconds with a propane torch). Now, using the slider weight, pull the assembly out. Remove 96153 O-Ring from shaft balancer.
 - c.) Press off 56052 Bearing with a bearing separator and remove v-ring seal and washer.
12. If during step 10, the 56052 Bearing remains in the motor shaft balancer, it can be removed by the heating the shaft balancer again and using either an inside bearing puller or a blind hole bearing puller.



To Assemble:

Important: Be certain parts are clean and in good repair before assembling.

1. Assemble the balancer assembly as follows:
 - a.) Install 95631 Snap Ring onto 57588 Balancer Shaft. Install 96154 V-Ring Seal with thin edge facing up. Be certain that seal is pressed all the way down into groove in balancer shaft.
 - b.) Place a small amount of pneumatic tool oil on the thin edge of seal. Place 57589 Washer onto seal and center it.
 - c.) Apply 1 drop of #271 Loctite® (or equivalent) and spread over several places around the inside diameter of the 56052 Bearing and the outside diameter of the 57588 Balancer Shaft.
 - d.) Press fit 56052 Bearing with seal side toward hex of balancer shaft up to shaft step as shown in **Drawing 2**. This must be a firm press fit for proper retention of bearing. The washer must be centered so the edge of the v-ring seal is not pinched in the I.D. of the washer. If it is, a thin screw driver must be used to pry the edge out from the I.D. and onto the face of the washer.
2. Place motor shaft balancer in a soft jaw vise with large end up and place o-ring into second groove in shaft balancer.
3. Apply 1 drop of #271 Loctite® (or equivalent) and spread over several places around the inside diameter of the motor shaft balancer after the o-ring. Slide balancer assembly into motor shaft balancer until 56052 Bearing is firmly seated at bottom. Squeeze 95631 Snap Ring into groove in motor shaft balancer to complete the assembly. Remove from vise.
4. Press 57088 Bearing onto the motor shaft balancer down to the shoulder as shown in **Drawing 3**.
5. Press 57587 Front Bearing Plate onto 57088 Bearing as shown in **Drawing 4** and check for smooth rotation.
6. Place the 57090 Rotor and 56047 Rotor Key onto shaft balancer. Place the 56073 Vanes into the rotor slots. **Note:** Vanes should be lightly lubricated with Dynabrade Air Lube P/N 95842 (or equivalent) before installation.
7. Place 57058 Cylinder Assembly over rotor. The "short" line-up pin goes toward the front plate.
8. Place 57056 Rear Bearing Plate (with 01206 Rear Bearing pressed into place) over shaft and "long" end of line-up pin and press fit in place as shown in **Drawing 5**.
9. Place 95626 Snap Ring in groove.
10. Place 57054 Rear Ring over the rear plate and line-up pin. Turn the motor over and place 57055 Front Ring over the front plate making sure that the "legs and fingers" on the front and rear rings line-up. Also the small cut-outs on both rings should line-up with the square holes in the cylinder/endplate assembly. Place 96155 Washer and 57059 Lock Ring onto the front ring with 1 drop of pneumatic tool oil spread between the washer and lock ring.
11. Secure motor housing in vise, using 57092 Collar or padded jaws. Spread 2-3 drops of pneumatic tool oil around the housing bore for ease of insertion of motor assembly. Slide motor assembly into secured housing. **Note:** Be certain line-up pin enters the pocket in the bottom of the housing and the "legs" of the rings stay in line.
12. Tighten lock ring with 56058 Lock Ring Tool to 28 N·m/250 in. - lbs.). Attach shroud or overskirt and weight-mated sanding pad.

Motor Assembly Complete. Please allow 30 minutes for adhesives to cure before operating tool.

(continued on next page)

Motor Assembly/Disassembly Instructions - Wet Dynorbital® Supreme

Valve and Speed Regulator Assemblies:

1. Secure housing in vice using 57092 Collar or padded jaws.
2. Remove inlet bushing, 01468 Spring, hinge valve and 01464 Seal from housing.
3. Remove 96159 Snap Ring. Press the spread regulator and valve stem out of the housing. Remove the 01025 O-Rings (2).
4. Place new 01025 O-Rings (2) on the speed regulator and place in housing with valve stem. Install new 96159 Snap Ring.
5. Place new 01464 Seal in housing using tweezers or needle nose pliers. Place the tip valve into housing so that the pin goes through the valve stem hole. Place new 01468 Spring into housing so small end is toward tip valve.
6. Spread 1 drop of #271 Loctite® (or equivalent) around the thread of the first inlet bushing and tighten into housing to 23 N·m/200 in. - lbs.

Note: Motor should operate at between 9,500 and 10,000 RPM at 6.2 bar (90 PSIG). RPM should be checked with a reed tachometer. Before operating, we recommend that 2-3 drops of Dynabrade Air Lube P/N 95842 (or equivalent) be placed directly into the air inlet with throttle lever depressed. Operate the machine for approximately 30 seconds before application to workpiece to determine if machine is working properly and safely and to allow lubricating oils to properly disperse through machine.

Loctite® is a registered trademark of the Loctite Corp.

Random Orbital Sanding Pads.

Perfectly balanced and weight-mated to Dynorbital® Supreme Random Orbital Sander.
Premium Urethane Resists Heat Build-Up — Available in Soft or Medium Density

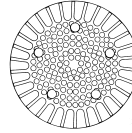


Vinyl-Face for PSA discs and Hook-Face for reattachable scrim-backed discs.

Rubber with Vinyl-Face for PSA Discs

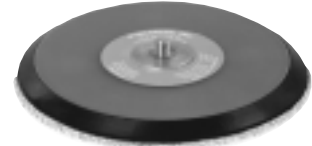


Rubber with Vinyl Face for PSA Discs
"Post Pattern" for Enhanced Vacuum Pick-Up



No need to align vacuum holes! Saves time on disc changes.

Rubber with Hook-Face "Long Nap" for
Abrasive Impregnated Non-Woven Nylon Discs



3-1/2", 5" and 6" diameter disc pads have 5/16"-24 male threaded stud.

The 3-1/2" diameter discs, without holes, can be used on vacuum and non-vacuum 3-1/2" Dynorbital® Supreme sanders.

Premium Urethane Disc Pad Part Numbers by Pad Diameter

Disc Pad Description	3 1/2"		5"		6"	
	No Holes	Holes	No Holes	Holes	No Holes	Holes
Soft Density/Vinyl-Face for PSA Discs	56097					
Soft Density/Low Profile/Vinyl-Face for PSA Discs			56102	56100	56103	56101
Soft Density/Hook-Face "Short Nap" for Scrim-Backed Discs	54311		56157	56155	56158	56156
Medium Density/Vinyl-Face for PSA Discs	56098					
Medium Density/Low Profile/Vinyl-Face for PSA Discs			56106	56104	56107	56105
Medium Density/Hook-Face "Short Nap" for Scrim-Backed Discs	54313		54325	54326	54327	54328

Rubber Disc Pad Part Numbers by Pad Diameter

Disc Pad Description	3 1/2"		5"		6"	
	No Holes	Holes	No Holes	Holes	No Holes	Holes
Medium Density/Vinyl-Face for PSA Discs			50630	50631	50632	50633
Medium Density/Post Pattern/Vinyl-Face for PSA Discs				50695		50696
Medium Density/Hook-Face "Short Nap" for Scrim-Backed Discs						
Medium Density/Hook-Face "Long Nap" for Non-Woven Nylon Discs			50605	50607	50606	50610

Unit = 10 Pads each. On 5" and 6" pads, no holes refers to non-vacuum style sanding pads.



96018 Motor Tune-Up Kit:

Includes assorted parts to help maintain and repair motor.



57098 Motor Repair Kit:

Includes special tools for proper disassembly/assembly of the Wet Dynorbital Supreme.



Visit Our Web Site: www.dynabrade.com

Email: Customer.Service@Dynabrade.com

DYNABRADE, INC., 8989 Sheridan Drive • Clarence, NY 14031-1490 • Phone: (716) 631-0100 • Fax: 716-631-2073 • International Fax: 716-631-2524
DYNABRADE EUROPE S.à.r.l., Zone Artisanale • L-5485 Wormeldange—Haut, Luxembourg • Telephone: 352 76 84 94 1 • Fax: 352 76 84 95 1

©DYNABRADE, INC., 2003

PRINTED IN USA